



Engine	Yanmar 4TNV98T-ZCNLYSC
Gross Power	61.3 kW (82 hp / 83 ps) @ 2,400 rpm
Net Power	57.3 kW (77 hp / 78 ps) @ 2,400 rpm
Breakout Force	29.8 kN
Rated Operating Capacity	1,045 kg
Bucket Capacity	0.45 m ³
Operating Weight	3,750 kg

385B

SKID STEER LOADER

385B SPECIFICATIONS >>>

ENGINE

Emission Regulation	Tier 3 / Stage IIIA
Make	Yanmar
Model	4TNV98T-ZCNLYSC
Gross Power	61.3 kW (82 hp / 83 ps) @ 2,400 rpm
Net Power	57.3 kW (77 hp / 78 ps) @ 2,400 rpm
Peak Torque	292.6 N · m @ 1,550 rpm
Number of Cylinders	4
Displacement	3.3 L
Cooling Type	Water

ELECTRICAL SYSTEM

System Voltage	12 V
Alternator Output	85 amps

CHAIN TANK

Drive Chain Size	100 HS
------------------	--------

TIRES

Ply Type	Vacuum tyre
Tire Size	12 - 16.5
Ply Rating	12

HYDRAULIC SYSTEM

System Type	Closed
Standard Flow	91.2 L/min
Optional High Flow	132.5 L/min
Traveling Hydrostatic Pressure	35 MPa
Working Hydrostatic Pressure	21 MPa
Hydraulic Cycle Time, Total	9.5 s
Raise	4.2 s
Dump	2.8 s
Lower (empty, float down)	2.5 s

OPERATING WEIGHT

Operating Weight	3,750 kg
------------------	----------

PERFORMANCE

Static Tipping Load	2,090 kg
Rated Operating Capacity	1,045 kg
Boom Breakout Force	20.3 kN
Bucket Breakout Force	29.8 kN
Dump Clearance at Full Height Discharge	2,572 mm
Dump Reach at Full Height Discharge	587 mm
Maximum Dump Angle at Full Height	39°
Maximum Hinge Pin Height	3,278 mm
Bucket Rollback at Ground Level	30°
Ground Clearance	200 mm
Angle of Departure	27°
Front Clearance Radius with Bucket	2,339 mm

SERVICE CAPACITIES

Fuel Tank	110 L
Engine Oil	9.4 L
Cooling System	20 L
Hydraulic Reservoir	60 L
Hydraulic System Total	80 L
Chain Tanks, Each	13 L

OPTIONAL ATTACHMENTS

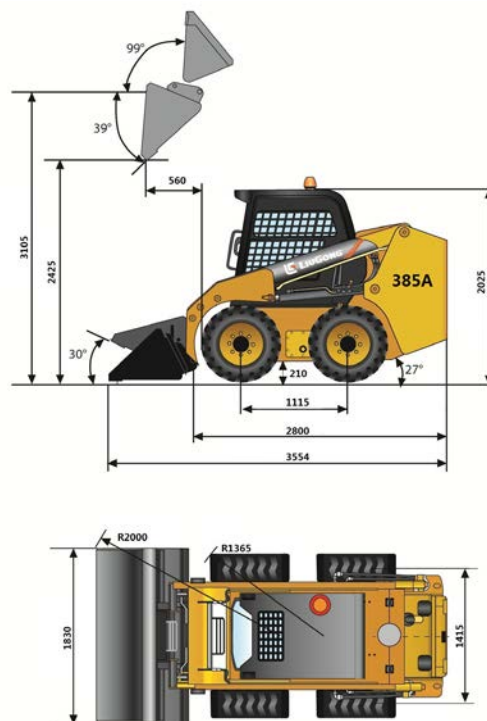
4 in 1 Bucket – 0.5 m ³	Lift Boom
Rocket Bucket – 0.4 m ³	Auger
Scrap Bucket – 350 to 650 mm	Snow Blade
Hydraulic Hammer	Pick - up Sweeper
Fork	Hydraulic Shear
Cold Planer	

STANDARD EQUIPMENT

General Bucket - 0.5 m ³
Control Safety Interlock
Boom Interlock
Quick Coupler
Open ROPS / FOPS Cab
Flow Standard – 79.2 L/min

OPTIONAL EQUIPMENT

Enclosed ROPS / FOPS Cab with AC	Heater
Auxiliary High Flow – 132.5 L/min	A/C
Operational Counterweight	Solid Tire
Tire Chains	



Guangxi Liugong Machinery Co., Ltd.

No. 1 Liutai Road, Liuzhou, Guangxi 545007, PR China
 T: +86 772 3886124 E: overseas@liugong.com
 www.liugong.com

Specifications and designs are subject to change without notice. Machines shown may include optional equipment. Liugong standard and optional equipment may vary from region to region. Please consult your Liugong dealer for information specific to your area. Engine power kW is converted to horsepower (1 kW=1.3596 ps and 1 kW=1.3410 hp) in this file.

03/2020 Designed by LiuGong
 Replace the previous versions of 07/2019